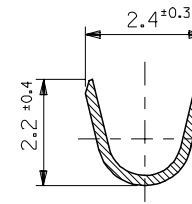
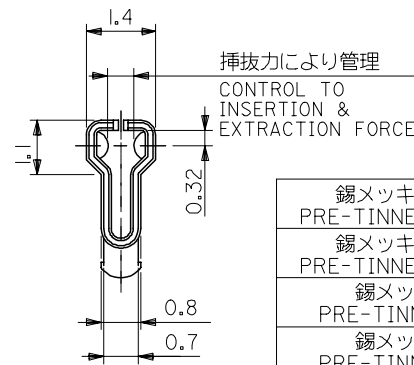
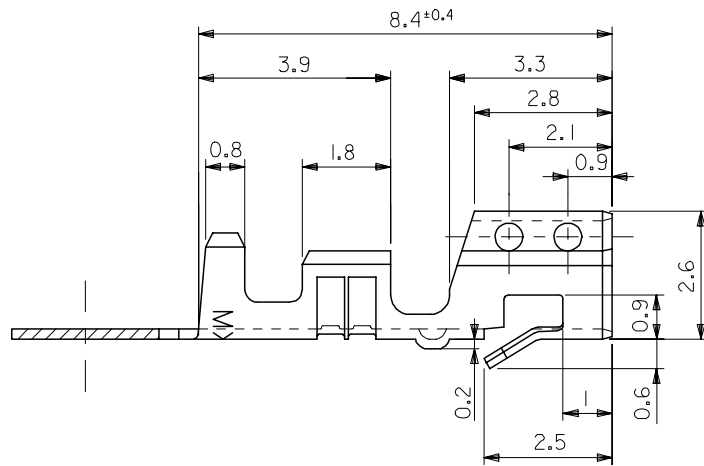


断面 A-A
SECT. A-A



断面 B-B
SECT. B-B



注記 NOTES:

1. 適合ハウジング:
APPLICABLE HOUSING:
5102-N,5207-N,5208-N,5209-N

| | | | |
|-----------------------------------|------------|----------|--------------|
| 錫メッキ済リン青銅 PRE-TINNED PHOS-BRO. | 08-70-0059 | 5103PBTL | バラ状 LOOSE |
| 錫メッキ済リン青銅 PRE-TINNED PHOS-BRO. | 08-70-0058 | 5103PBT | 連鎖状 CHAIN |
| 錫メッキ済黄銅 PRE-TINNED BRASS | 08-70-0057 | 5103TL | バラ状 LOOSE |
| 錫メッキ済黄銅 PRE-TINNED BRASS | 08-70-0056 | 5103T | 連鎖状 CHAIN |
| 材料 MATERIAL | EDP NO. | ENG. NO. | 端子形状 FORM |

| | |
|----------------------|---------------------------------------|
| 材料 MATERIAL | 表参照 (t=0.203) SEE TABLE |
| 適用電線範囲 WIRE RANGE | AWG#22~28 0.33~0.08mm ² |
| 被覆外径 INS. RANGE | φ1.15 ~ φ1.9 |

| | | |
|---------|-------------------|------------|
| REVISED | EC NO: J2006-3417 | 2006/07/31 |
| | DRWN:KSAIT001 | 2006/08/04 |
| | CHKD:MTANAKA | 2006/08/04 |
| | APPR:NUKITA | 2006/08/07 |
| N | | |

| | |
|--|-------|
| GENERAL TOLERANCES (UNLESS SPECIFIED) | |
| 10 UNDER | ±0.2 |
| 10 OVER 30 UNDER | ±0.25 |
| 30 OVER | ±0.3 |
| ANGULAR | ±3 ° |
| DRAFT WHERE APPLICABLE MUST REMAIN WITHIN DIMENSIONS | |

| | |
|----------------------------|--------------------|
| DIMENSION STYLE MM ONLY | |
| DRAWN BY K.TOJO | DATE 1990/12/25 |
| CHECKED BY H.HIRAMOTO | DATE 1996/03/04 |
| APPROVED BY M.FUKUSHIMA | DATE 1996/03/04 |
| MATERIAL NO. SEE CHART | |
| SIZE A3 | |

| | | |
|--|-----------------------------|---------------------------|
| SCALE 10:1 | DESIGN UNITS METRIC | THIRD ANGLE PROJECTION |
| TITLE MINI SPOX CRIMP REC | | |
| MOLEX INCORPORATED | | |
| MATERIAL NO. SEE CHART | DOCUMENT NO. SD-5103-002 | SHEET NO. 1 OF 1 |
| THIS DRAWING CONTAINS INFORMATION THAT IS PROPRIETARY TO MOLEX INCORPORATED AND SHOULD NOT BE USED WITHOUT WRITTEN PERMISSION | | |